

Loud Speaker (External Magnet)

Model: LEU102S-47H20W8N



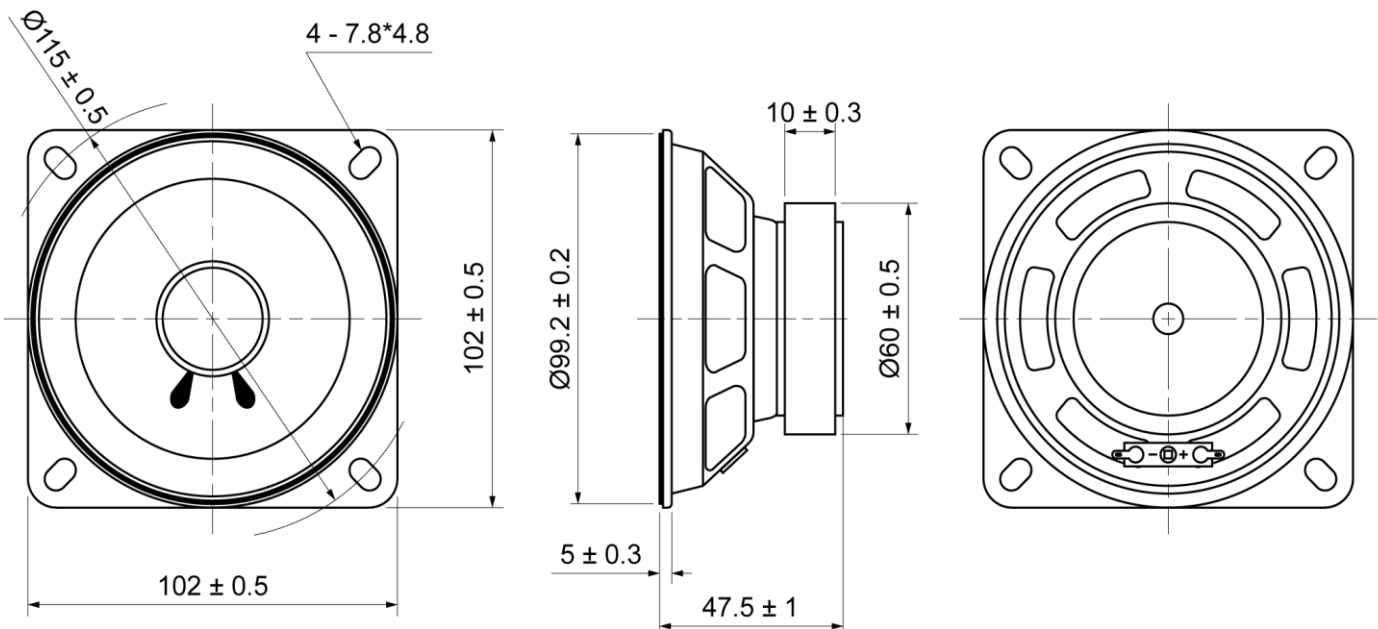
ELECTRICAL SPECIFICATIONS

	Condition	Parameter	Unit
Sound Pressure Level	at 1.0W, 1.0M [at 0.8, 1.0, 1.2, 1.5KHz]	97 ± 3	dB
Impedance	at 1V, 800Hz	8 ± 15%	Ω
Rated Input Power		20	W
Max Input Power		22	W
Resonant Frequency (Fo)	at 1V	150 ± 20%	Hz
Frequency Range		Fo ~ 20000	Hz
Buzzer & Rattles	not be audible at sine wave between Fo ~ 20KHz	12.64	V
Operating Temperature		-25 ~ 50	°C
Magnet		Ferrite	
Frame Material		Metal	
Cone Material		Paper	
Weight		291	g

MECHANICAL DRAWING

Dimensions in mm

Tolerance ±0.5mm Except Specified



Loud Speaker (External Magnet)

Model: LEU102S-47H20W8N

FREQUENCY RESPONSE CURVE

